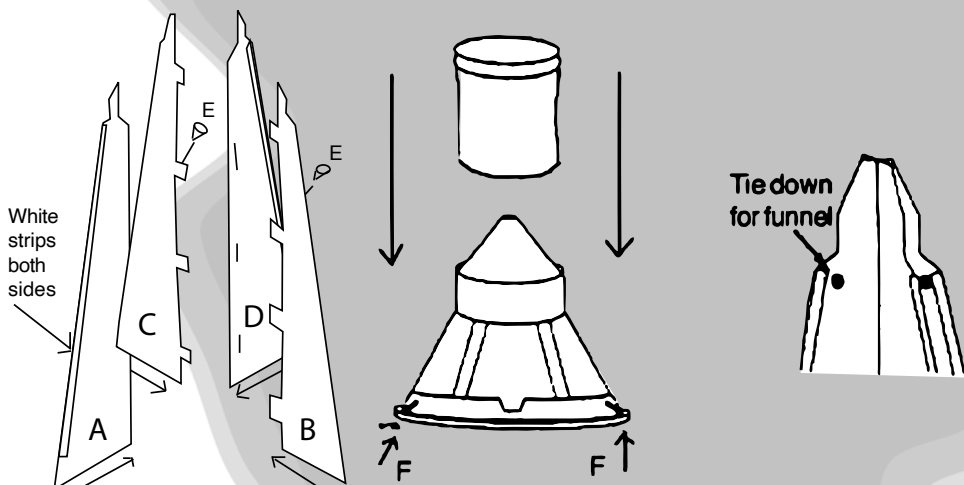


PYRAMID TRAP ASSEMBLY INSTRUCTIONS



How to assemble:

- 1 Working on a firm level surface, stand up panels A and D with slots facing each other. Slide panels together, making sure to align the slots.
- 2 Take panel C and slide both tabs through panel A and D. Make certain tabs are all the way through both panels. Pull down and lock into place.
- 3 Repeat step 3 for panel B. Again, make sure both panels A and D are locked into place.
- 4 After locking panels into place, all four panels should be even at top.
- 5 Place assembled trap in desired location. Taking two tent stakes, drive tent stakes into ground beside panels C and B until hook on tent stake is even with hole. Panels C and B have holes located near the bottom of each panel.
- 6 Once hook is connected to trap, gently tap stake down until trap is snug with ground. Be careful not to go too far.
- 7 Place plastic assembled unit on top of trap.
- 8 Attach twist ties through holes near the bottom of trap funnel (at points F) and attach to holes in panel to hold funnel firmly on trap.
- 9 After assembly is complete, insert plastic screws through small holes in insertion tabs at point E.

